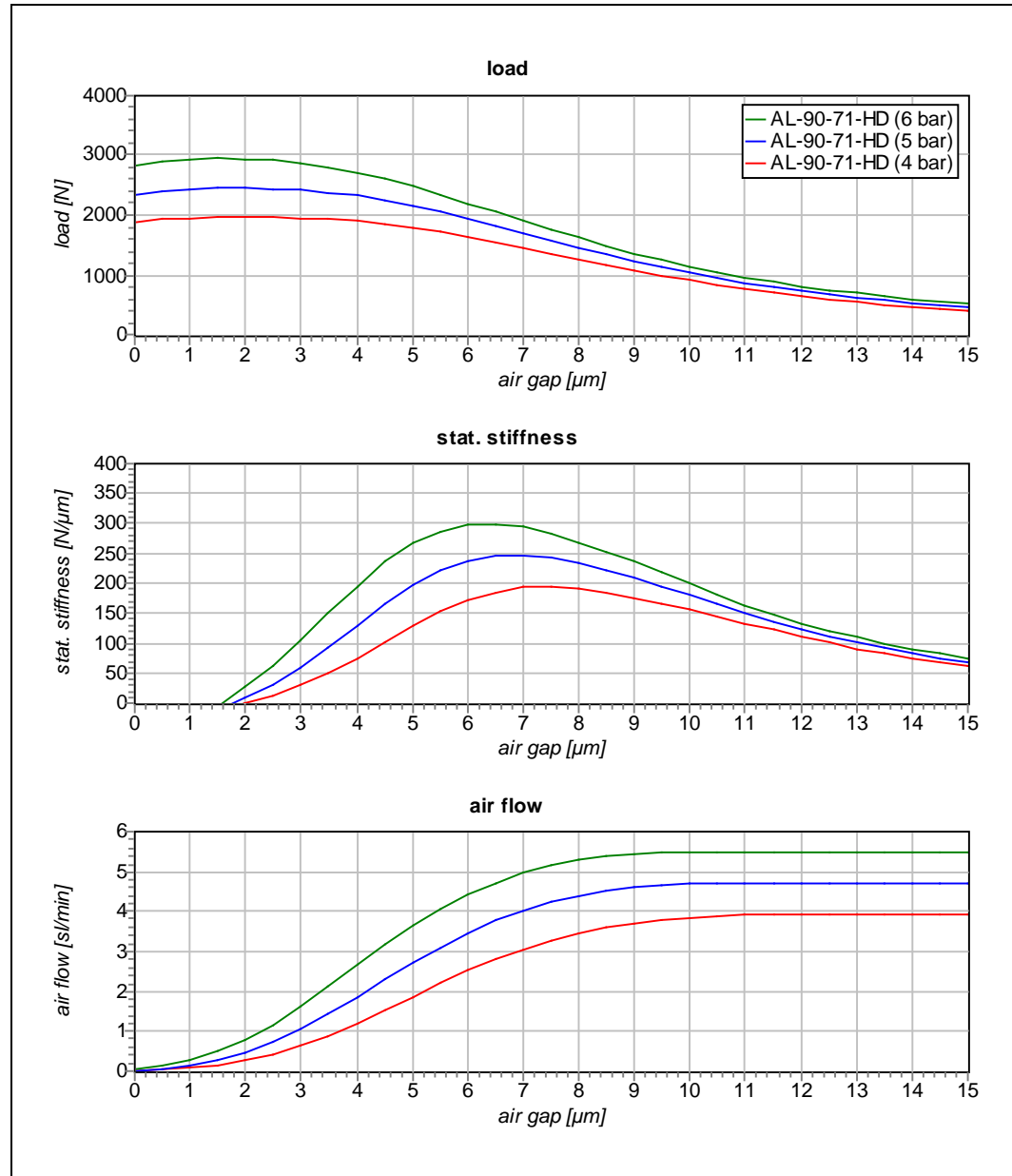
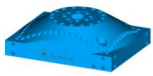


AL-90-71-HD



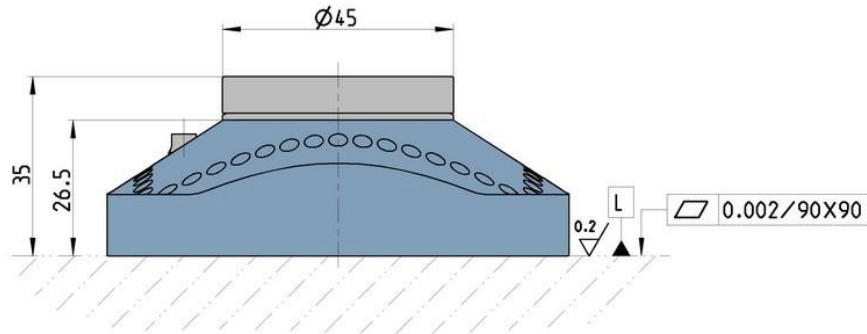
air bearing data at	4 bar	5 bar	6 bar
recommended max. load	→ 1600 N	2000 N	2400 N
recommended preload	→ 900 N	1100 N	1300 N
gap ¹	→ 10 μm	9.5 μm	9 μm
static stiffness ¹	→ 150 N/μm	180 N/μm	230 N/μm
max. static stiffness	→ 200 N/μm	250 N/μm	300 N/μm
tilt stiffness ^{1,2}	→ 1.4 N/μm	1.8 N/μm	2.2 N/μm
unrestricted airflow	→ 4 sl/min	4.8 sl/min	5.6 sl/min
specification			
weight	→ 300g		
guiding surface	→ Ra 0.2		
air quality	→ attachment		
air pressure	→ max. 9 bar		
accessories	→ joint AL-90-71-HD+G piston AL-90-71-HD+K		
¹ at recommended load ² measured at the edge of the bearing			
application			
high dynamic			



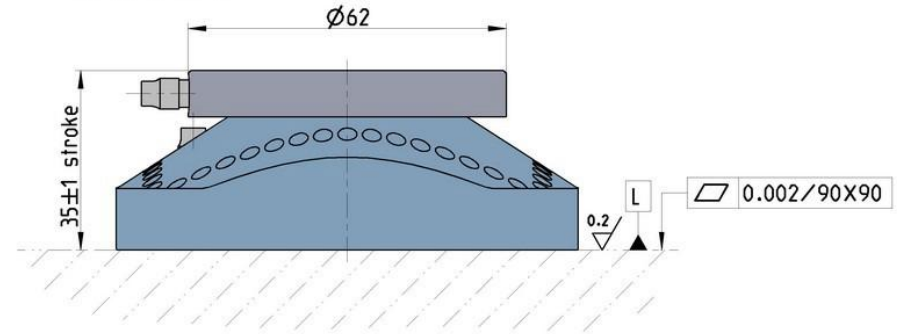


AL-90-71-HD

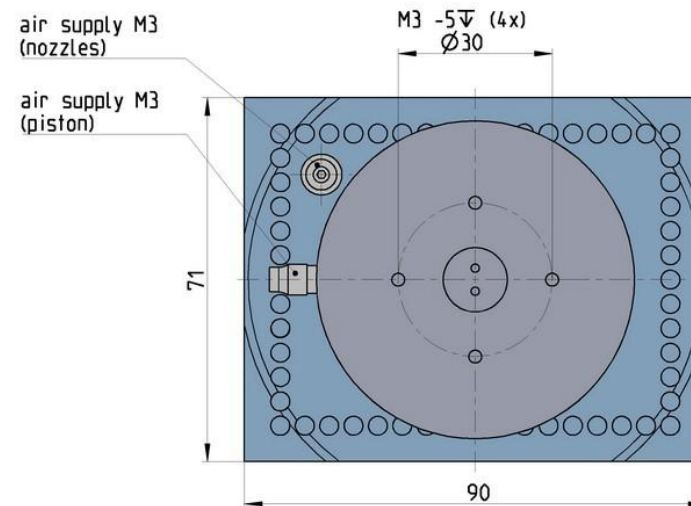
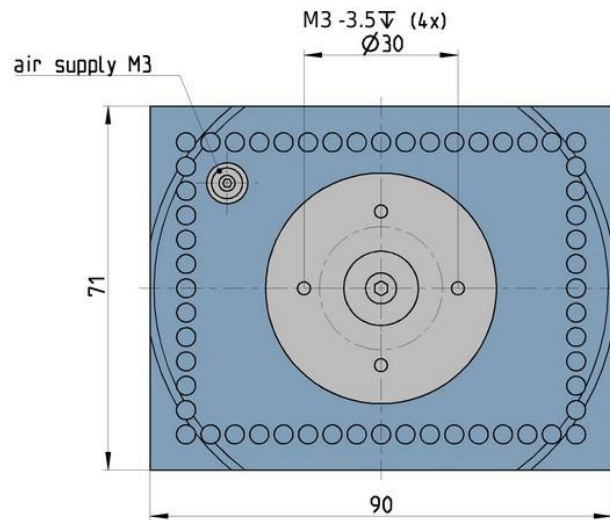
air bearing with joint
AL-90-71-HD+G

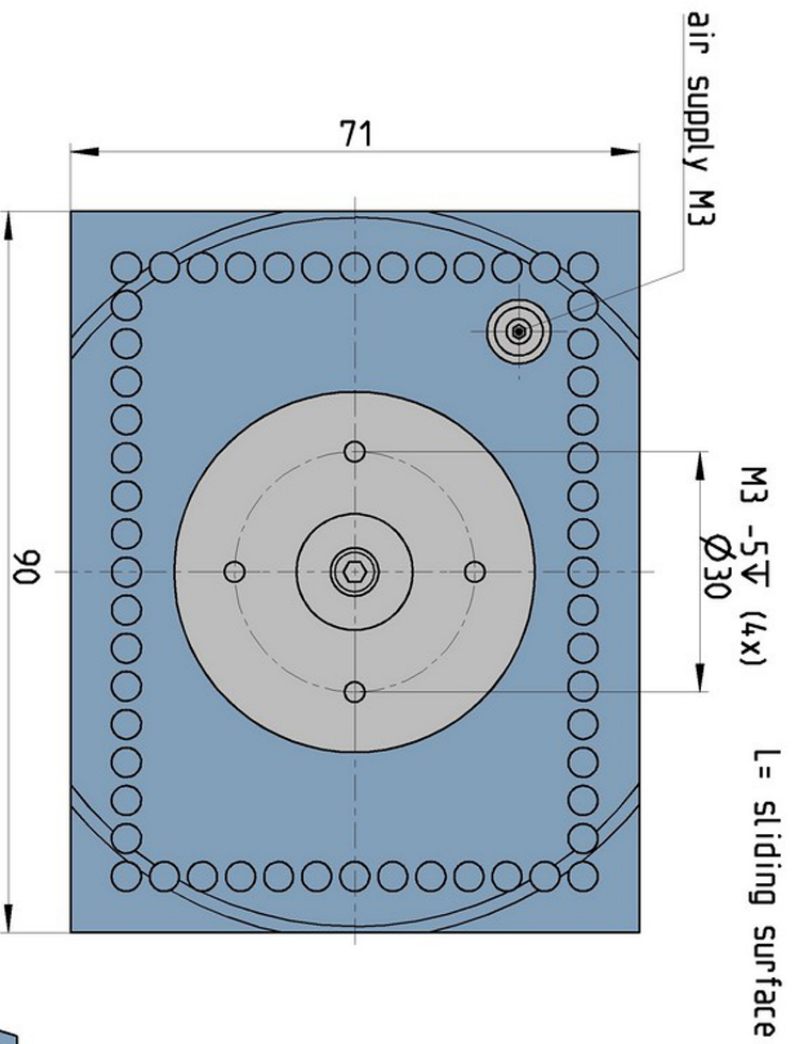
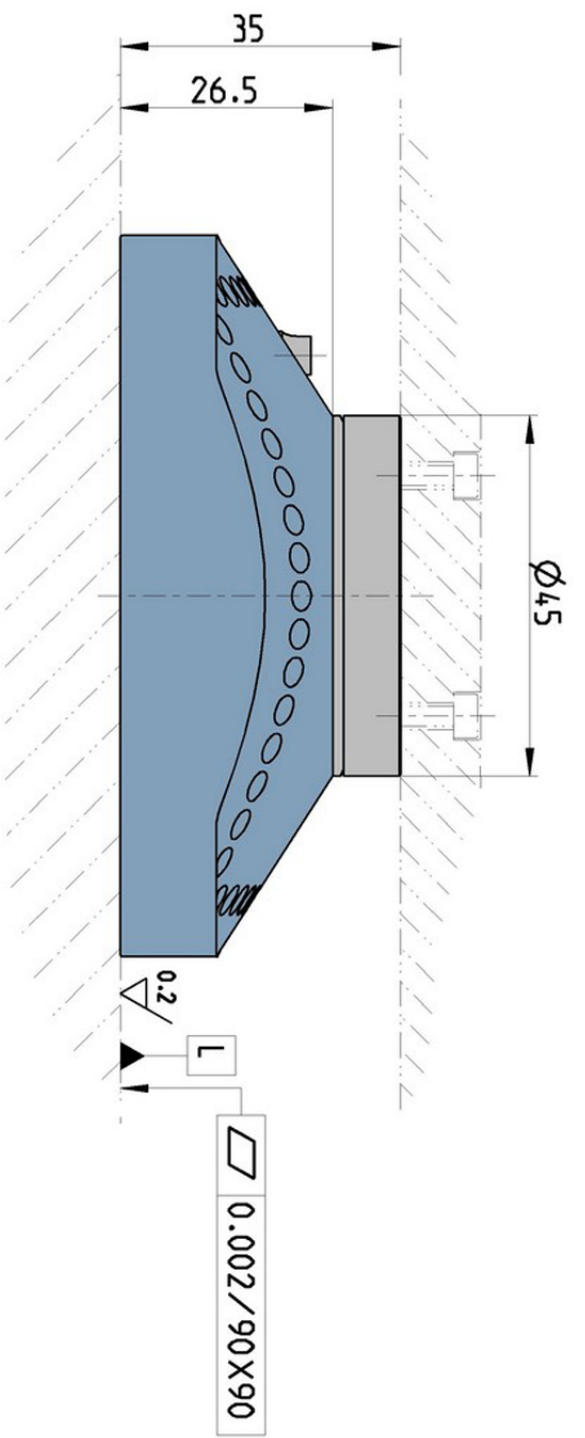


air bearing with piston
AL-90-71-HD+K

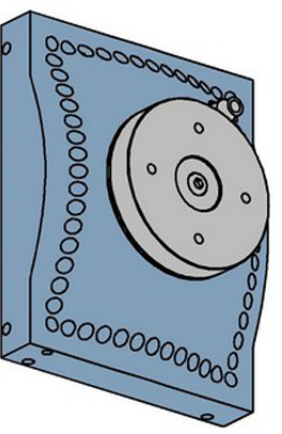


L = sliding surface





Fertigungsfreigabe released	
Datum Date	14.10.2008
Name Name	J. Wagner
Name Name	
Original	



Oberfläche DIN ISO 1302 surface finish	Werkstückkanten DIN 6784 edge radii	Toleranzen tolerances
	-0.2 +0.1	±0.1 ±0.20'
		\perp 0.1 \parallel 0.1 ∇ 0.1

Name: J.Brand	
No. Änderung/revision index	Datum/Date
.	.
.	.
.	.
.	.
.	.
.	.
.	.

Maßstab/scale 1:1 (A4)	
Werkstoff / material	-
Oberflächenbehandlung / surface treatment	-
Benennung / item name	AL-90-71-HD+C
Zeichnungsnummer / drawing no.	SO-311-207-BG
Blatt / sheet	1/2
Bemerkung / notice	

