

AL-98-79-HD+G

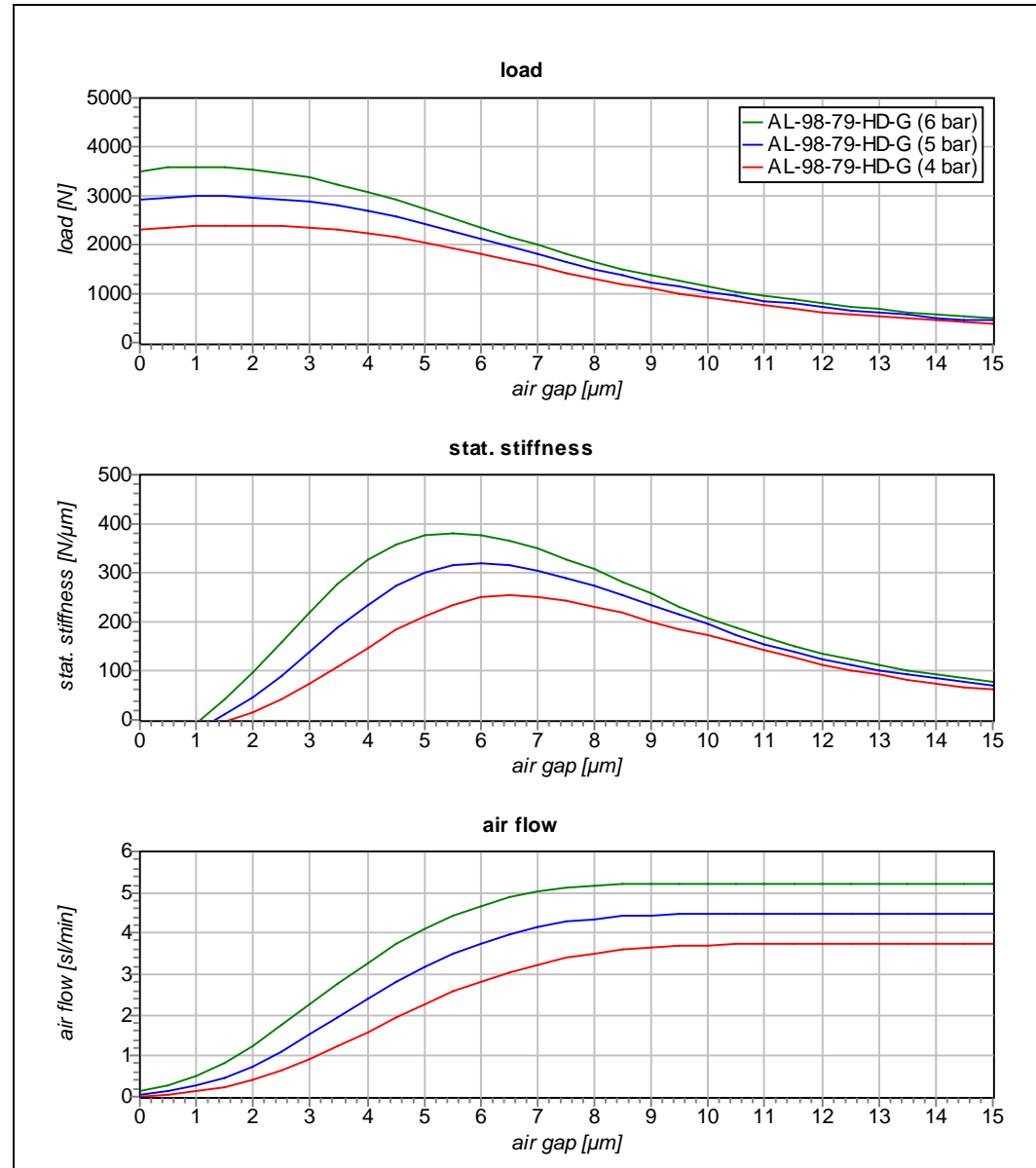
Air bearing data at	4 bar	5 bar	6 bar
recommended max. load	→ 1800 N	2200 N	2500 N
recommended preload	→ 900 N	1100 N	1300 N
gap ¹	→ 10 μm	9.5 μm	9 μm
static stiffness ¹	→ 150 N/μm	180 N/μm	230 N/μm
max. static stiffness	→ 200 N/μm	250 N/μm	300 N/μm
tilt stiffness ^{1,2}	→ 1.4 Nm/μm	1.8 Nm/μm	2.2 Nm/μm
unrestricted airflow	→ 4 sl/min	4.8 sl/min	5.6 sl/min

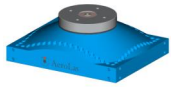
specification

weight	→ 360 g
guiding surface	→ Ra 0.2
air quality	→ attachment
air pressure	→ max. 9 bar
accessories	→

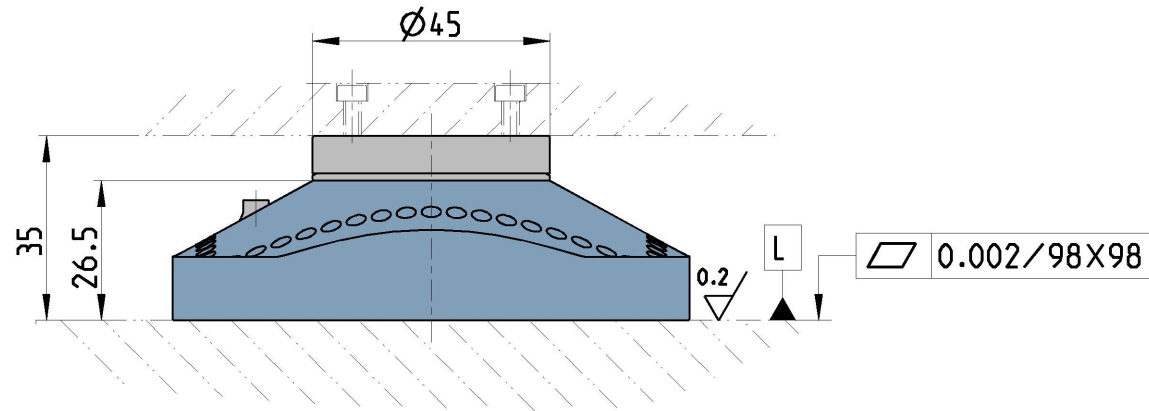
¹ at recommended load
² measured at the edge of the bearing

application
 high dynamic





AL-98-79-HD+G



L= sliding surface

